

ignion[™]

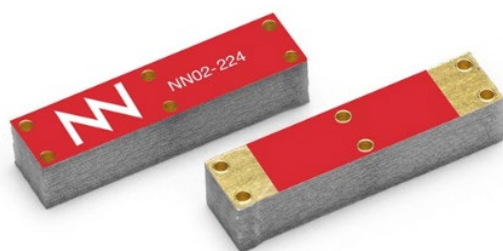
Your innovation.
Accelerated.

Different PCB sizes for any IoT design

APPLICATION NOTE
RUN mXTEND[™] (NN02-224)

RUN mXTEND™ – Clearance Length and Ground Plane Length Experiments on 824-960 MHz and 1710-2690MHz

Ignion specializes in enabling effective mobile communications. Using Ignion technology, we design and manufacture optimized antennas to make your wireless devices more competitive. Our mission is to help our clients develop innovative products and accelerate their time to market through our expertise in antenna design, testing and manufacturing.



RUN mXTEND™ antenna booster
NN02-224

Ignion products are protected by [Ignion patents](#).

All information contained within this document is property of Ignion and is subject to change without prior notice. Information is provided “as is” and without warranties. It is prohibited to copy or reproduce this information without prior approval.

Ignion is an ISO 9001:2015 certified company. All our antennas are lead-free and RoHS compliant.

ISO 9001: 2015



TABLE OF CONTENTS

1. PRODUCT DESCRIPTION NN02-224	4
2. CLEARANCE LENGTH EXPERIMENTS	5
2.1. EVALUATION BOARD	5
2.2. VSWR AND EFFICIENCY	5
2.3. MATCHING NETWORK	6
3. GROUND PLANE LENGTH EXPERIMENTS	8
3.1. EVALUATION BOARD	8
3.2. VSWR AND EFFICIENCY	8
3.3. MATCHING NETWORK	9

1. PRODUCT DESCRIPTION NN02-224

The RUN mXTEND™ antenna booster (NN02-224) has been specifically designed for providing multiband performance in wireless devices, enabling worldwide coverage by allowing operation in the communication standards 2G, 3G, 4G, ISM, Zigbee, RFID, GPS, GLONASS, Bluetooth, Wi-Fi, and WLAN.



Material: The RUN mXTEND™ antenna booster is built on glass epoxy substrate.

APPLICATIONS

- Handsets and Smartphones
- Tablets and PCs
- Modules
- Routers
- Headsets
- USB Dongles
- Navigators
- Digital Cameras and Smart Watches
- Metering (Gas, Electricity, Water...)
- RFID
- Sensors (Parking, Speed Control, Optics...)

BENEFITS

- High efficiency
- Small size
- Cost-effective
- Easy-to-use (pick and place)
- Multiband behaviour (worldwide standards)
- Off-the-Shelf Standard Product (no customization is required)

The RUN mXTEND™ antenna booster belongs to a new generation of antenna solutions based on the Virtual Antenna™ technology developed by Ignion. The technology is mainly focused on replacing conventional antenna solutions by miniature and standard components.

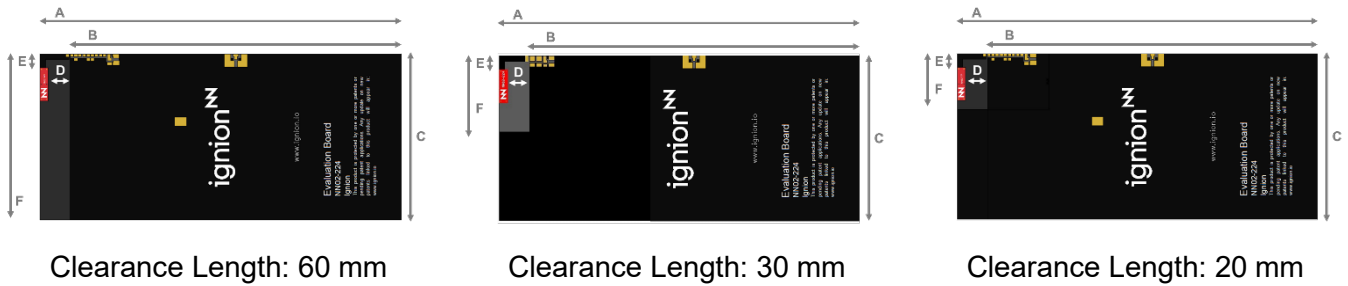
This project has received funding from the European Union's Horizon 2020 research and innovation programme under grant agreement N° 674491



2. CLEARANCE LENGTH EXPERIMENTS

2.1. EVALUATION BOARD

This Evaluation Board EB_NN02-224-1B-2RJ-1P integrates a UFL cable to connect the RUN mXTEND™ antenna booster with the SMA connector. The experiment consists of reducing the clearance length, going from 60mm (original case) to 20mm.



Measure	mm
A	131
B	120
C	60
D	8
E	5
F	60-20

Tolerance: ±0.2 mm

D: Distance between the RUN mXTEND™ antenna booster and the ground plane.

Material: The evaluation board is built on FR4 substrate. Thickness is 1 mm.

Figure 1 – Evaluation boards with different clearance lengths that provide operation from 824 MHz to 960 MHz and from 1710 MHz to 2690 MHz.

2.2. VSWR AND EFFICIENCY

VSWR (Voltage Standing Wave Ratio) and Total Efficiency versus Frequency (GHz).

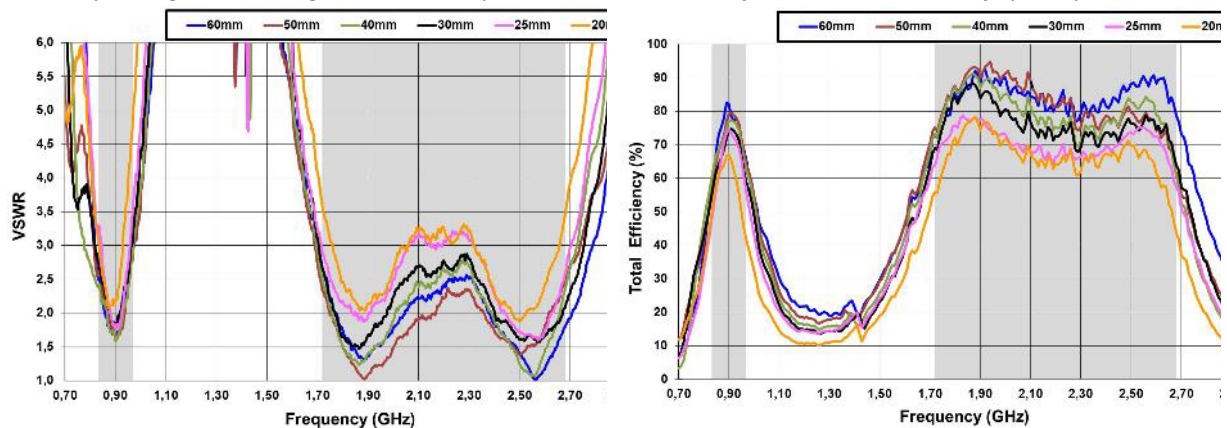


Figure 2 – VSWR and Total Efficiency for the 824 – 960 MHz frequency range and for the 1710 – 2690 MHz frequency range from the evaluation board (Figure 1).

F	LFR (824 – 960 MHz)					HFR (1710 – 2690 MHz)				
	η_a 824MHz	η_a 960MHz	Min	Max	Av. η_a	η_a 1710MHz	η_a 2690MHz	Min	Max	Av. η_a
60mm	54.3	68.2	54.3	84.6	73.5	74.5	74.7	71.1	94.7	84.5
50mm	54.7	66.5	54.7	80.3	71.8	76.6	57.6	57.6	95.7	82.0
40mm	58.8	64.5	58.8	78.2	71.1	74.3	53.7	53.7	92.1	79.6
30mm	53.6	60.9	53.6	75.5	67.6	69.9	59.9	59.9	89.1	76.3
25mm	46.3	55.6	46.3	74.6	64.5	64.6	47.5	47.5	79.4	70.8
20mm	47.7	43.5	43.5	68.2	58.7	56.7	39.1	39.1	78.6	66.4

Table 1 – Antenna efficiency (%) comparison considering the different clearance lengths.

2.3. MATCHING NETWORK

The specs of a Ignion standard product are measured in their evaluation board, which is an ideal case. In a real design, components nearby the antenna, LCD's, batteries, covers, connectors, etc. affect the antenna performance. This is the reason why it is highly recommended placing pads compatible with 0402 and 0603 SMD components for a matching network as close as possible to the feeding point. Do it in the ground plane area, not in the clearance area. This provides a degree of freedom to tune the RUN mXTEND™ antenna booster once the design is finished and taking into account all elements of the series (batteries, displays, covers, etc.).

Please notice that different devices with different ground planes and different components nearby the RUN mXTEND™ antenna booster may need a different matching network. To ensure optimal results, the use of high Q and tight tolerance components is highly recommended (Murata components). Please, if you need assistance contact support@ignion.io for more information related to the antenna booster matching service.

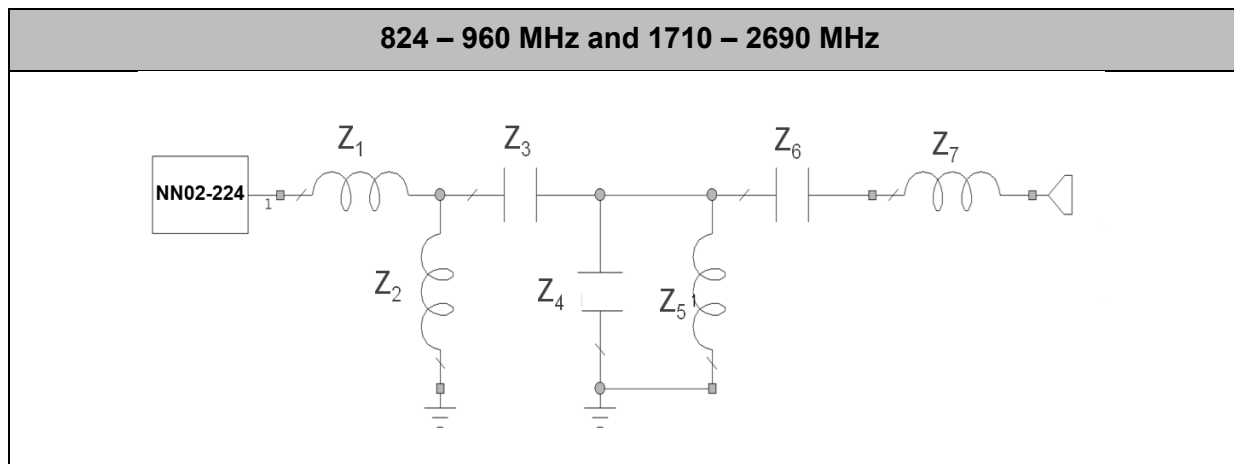


Figure 3 – Topology of matching network mounted at the different solutions.

F	Z ₁	Z ₂	Z ₃	Z ₄	Z ₅	Z ₆	Z ₇
60mm	4.3 nH	18 nH	0.9 pF	1.0 pF	13 nH	2.0 pF	4.5 nH
50mm	6.5 nH	18 nH	0.8 pF	1.0 pF	11 nH	1.8 pF	4.5 nH
40mm	6.5 nH	18 nH	0.7 pF	1.0 pF	10 nH	1.6 pF	5.1 nH
30mm	6.5 nH	18 nH	0.7 pF	0.9 pF	11 nH	1.6 pF	4.9 nH
25mm	6.1 nH	17 nH	0.8 pF	1.0 pF	11 nH	2.0 pF	4.5 nH
20mm	4.9 nH	18 nH	0.8 pF	1.0 pF	11 nH	1.8 pF	4.5 nH

Table 2 – Values of the components for each clearance length.

Value		Part Number
Z ₁	4.3 nH	LQW15AN4N3B80
	6.5 nH	LQW15AN6N5G80D
	6.1 nH	LQW15AN6N1B80D
	4.9 nH	LQW15AN4N9B80
Z ₂	18 nH	LQW18AN18NG10
	17 nH	LQW18AN17NG80D
Z ₃	0.9 pF	GJM1555C1HR90WB01
	0.8 pF	GJM1555C1HR80WB01D
	0.7 pF	GJM1555C1HR70WB01D
Z ₄	1.0 pF	GJM1555C1H1R0WB01
	0.9 pF	GJM1555C1HR90WB01
Z ₅	13 nH	LQW15AN13NG00
	11 nH	LQW15AN11NG80
	10 nH	LQW15AN10NG80D
Z ₆	2.0 pF	GJM1555C1H2R0WB01
	1.8 pF	GJM1555C1H1R8WB01
	1.6 pF	GJM1555C1H1R6WB01
Z ₇	4.5 nH	LQW15AN4N5B80
	5.1 nH	LQW15AN5N1B80D
	4.9 nH	LQW15AN4N9B80

Table 3 – Values and part numbers of the components used for the matching networks for the cases with clearance length equal to 60 mm, 50 mm, 40 mm, 30 mm, 25 mm and 20 mm.

For additional information, please visit www.ignion.io or contact info@ignion.io.

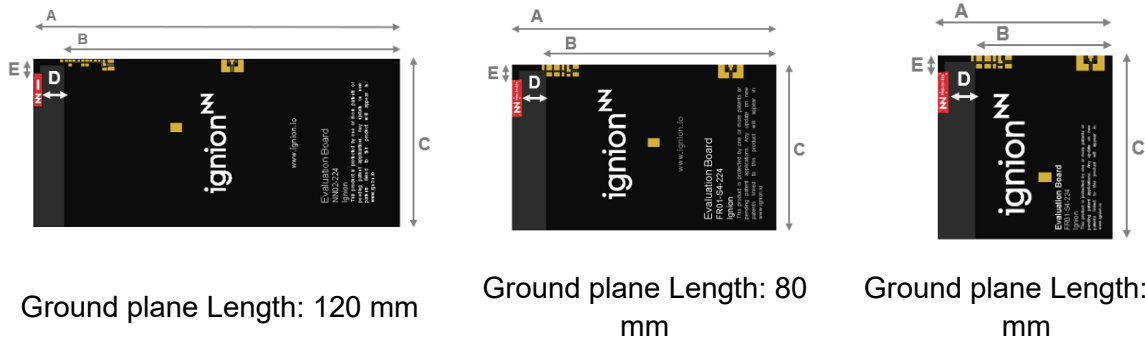
If you need assistance to design your matching network beyond this application note, please contact support@ignion.io, or if you are designing a **different device size** or a **different frequency band**, we can assist you in less than 24 hours. Please, try our free-of-charge¹ [Antenna Intelligence Cloud](#), which will get you a complete design report including a custom matching network for your device in 24h¹. Additional information related to Ignion's range of R&D services is available at: <https://ignion.io/rdservices/>

¹ See terms and conditions for a free Antenna Intelligence Cloud service in 24h at: <https://www.ignion.io/antenna-intelligence/>

3. GROUND PLANE LENGTH EXPERIMENTS

3.1. EVALUATION BOARD

This Evaluation Board EB_N002-224-1B-2RJ-1P integrates a UFL cable to connect the RUN mXTEND™ antenna booster with the SMA connector. The experiment consists of reducing the ground plane length, going from 120mm (original case) to 40mm.



Measure	mm
A	131 – 51
B	120 – 40
C	60
D	8
E	5

Tolerance: ±0.2 mm

D: Distance between the RUN mXTEND™ antenna booster and the ground plane.

Material: The evaluation board is built on FR4 substrate. Thickness is 1 mm.

Figure 4 – Evaluation boards with different ground plane lengths that provide operation from 824 MHz to 960 MHz and from 1710 MHz to 2690 MHz.

3.2. VSWR AND EFFICIENCY

VSWR (Voltage Standing Wave Ratio) and Total Efficiency versus Frequency (GHz).

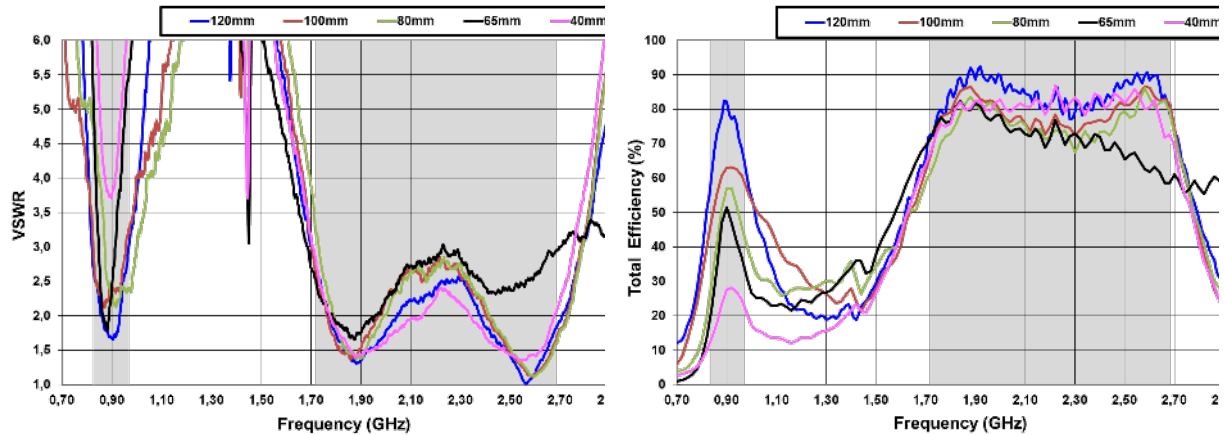


Figure 5 – VSWR and Total Efficiency for the 824 – 960 MHz frequency range and for the 1710 – 2690 MHz frequency range from the evaluation board (Figure 4).

B	LFR (824 – 960MHz)					HFR (1710 – 2690MHz)				
	η_a 824MHz	η_a 960MHz	Min	Max	Av. η_a	η_a 1710MHz	η_a 2690MHz	Min	Max	Av. η_a
120mm	54.3	68.2	54.3	84.6	73.5	74.5	74.7	71.1	94.7	84.5
100mm	45.9	59.3	45.9	63.4	59.5	66.7	74.5	66.7	88.4	79.1
80mm	25.7	43.0	25.7	58.8	48.2	61.6	72.3	61.6	87.0	76.0
65mm	18.9	34.4	18.9	53.0	40.5	71.5	61.2	57.1	83.9	71.9
40mm	12.2	22.8	12.2	28.7	23.4	67.5	68.9	67.5	89.2	80.4

Table 4 – Antenna efficiency comparison considering the different ground plane lengths.

3.3. MATCHING NETWORK

The specs of a Ignion standard product are measured in their evaluation board, which is an ideal case. In a real design, components nearby the antenna, LCD's, batteries, covers, connectors, etc. affect the antenna performance. This is the reason why it is highly recommended placing pads compatible with 0402 and 0603 SMD components for a matching network as close as possible to the feeding point. Do it in the ground plane area, not in the clearance area. This provides a degree of freedom to tune the RUN mXTEND™ antenna booster once the design is finished and taking into account all elements of the series (batteries, displays, covers, etc.).

Please notice that different devices with different ground planes and different components nearby the RUN mXTEND™ antenna booster may need a different matching network. To ensure optimal results, the use of high Q and tight tolerance components is highly recommended (Murata components). Please, if you need assistance contact support@ignion.io for more information related to the antenna booster matching service.

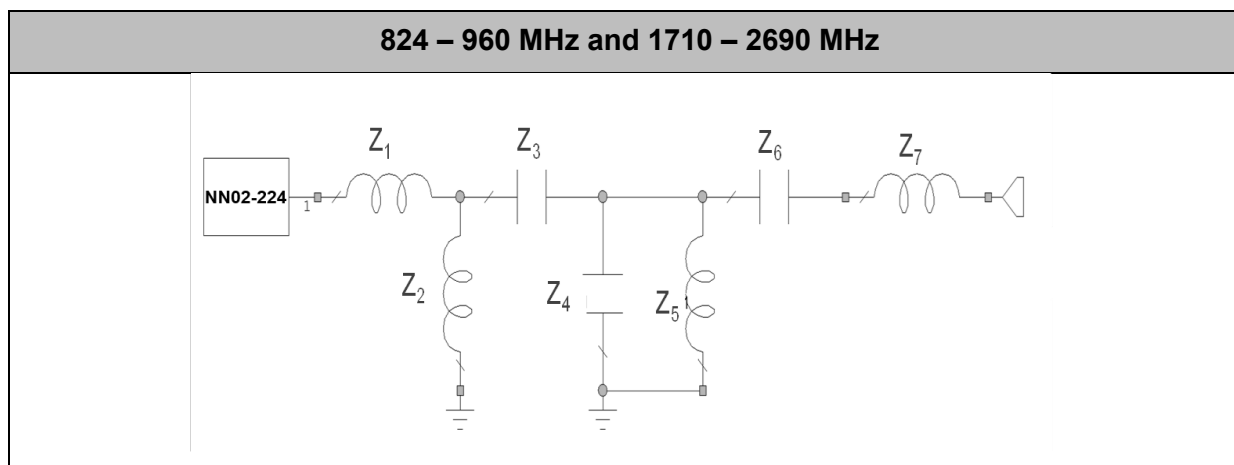


Figure 6 – Topology of matching network mounted at the different solutions.

B	Z ₁	Z ₂	Z ₃	Z ₄	Z ₅	Z ₆	Z ₇
120mm	4.3 nH	18 nH	0.9 pF	1.0 pF	13 nH	2.0 pF	4.5 nH
100mm	5.1 nH	18 nH	0.8 pF	1.0 pF	10 nH	2.0 pF	4.7 nH
80mm	4.5 nH	18 nH	0.8 pF	0.9 pF	14 nH	2.0 pF	4.9 nH
65mm	3.6 nH	18 nH	0.6 pF	0.4 pF	-	-	3.3 nH
40mm	4.3 nH	18 nH	0.9 pF	1.0 pF	13 nH	2.0 pF	4.5 nH

Table 5 – Values of the components for each ground plane length.

Value		Part Number
Z ₁	4.3 nH	LQW15AN4N3B80
	5.1 nH	LQW15AN5N1B80D
	4.5 nH	LQW15AN4N5B80D
	3.6 nH	LQW15AN3N6B80D
Z ₂	18 nH	LQW18AN18NG10
Z ₃	0.9 pF	GJM1555C1HR90WB01
	0.8 pF	GJM1555C1HR80WB01
	0.6 pF	GJM1555C1HR60WB01
Z ₄	1.0 pF	GJM1555C1H1R0WB01
	0.9 pF	GJM1555C1HR90WB01
	0.4 pF	GJM1555C1HR40WB01
Z ₅	13 nH	LQW15AN13NG00
	10 nH	LQW15AN10NG00
	14 nH	LQW15AN14NG00
Z ₆	2.0 pF	GJM1555C1H2R0WB01
Z ₇	3.3 nH	LQW15AN3N3B80D
	4.5 nH	LQW15AN4N5B80
	4.7 nH	LQW15AN4N7B80
	4.9 nH	LQW15AN4N9B80

Table 6 – Values and part numbers of the components used for the matching networks for the cases with ground plane length equal to 120 mm, 100 mm, 80 mm, 65 mm and 40 mm.

For additional information, please visit www.ignion.io or contact info@ignion.io.

If you need assistance to design your matching network beyond this application note, please contact support@ignion.io, or if you are designing a **different device size** or a **different frequency band**, we can assist you in less than 24 hours. Please, try our free-of-charge¹ [Antenna Intelligence Cloud](#), which will get you a complete design report including a custom matching network for your device in 24h². Additional information related to Ignion's range of R&D services is available at: <https://ignion.io/rdservices/>

² See terms and conditions for a free Antenna Intelligence Cloud service in 24h at: <https://www.ignion.io/antenna-intelligence/>

ignion[™]

Your innovation.
Accelerated.

Contact:

support@ignion.io

+34 935 660 710

Barcelona

Av. Alcalde Barnils, 64-68 Modul C, 3a pl.
Sant Cugat del Vallés
08174 Barcelona
Spain

Shanghai

Shanghai Bund Centre
18/F Bund Centre, 222 Yan'an Road East,
Huangpu District
Shanghai, 200002
China

New Delhi

New Delhi, Red Fort Capital Parsvnath Towers
Bhai Veer Singh Marg, Gole Market,
New Delhi, 110001
India

Tampa

8875 Hidden River Parkway
Suite 300
Tampa, FL 33637
USA