

ignion<sup>™</sup>

Your innovation.  
Accelerated.

# RUN mXTEND<sup>™</sup> — Wi-Fi Dual-band

APPLICATION NOTE  
RUN mXTEND<sup>™</sup> (NN02-224)

## RUN mXTEND<sup>™</sup> (NN02-224) – Wi-Fi Dual-band (2.4-2.5 GHz) and (4.9-5.875 GHz)

Ignion specializes in enabling effective mobile communications. Using Ignion technology, we design and manufacture optimized antennas to make your wireless devices more competitive. Our mission is to help our clients develop innovative products and accelerate their time to market through our expertise in antenna design, testing and manufacturing.



RUN mXTEND<sup>™</sup> antenna booster

NN02-224

Ignion products are protected by [Ignion patents](#).

All information contained within this document is property of Ignion and is subject to change without prior notice. Information is provided “as is” and without warranties. It is prohibited to copy or reproduce this information without prior approval.

Ignion is an ISO 9001:2015 certified company. All our antennas are lead-free and RoHS compliant.

ISO 9001: 2015

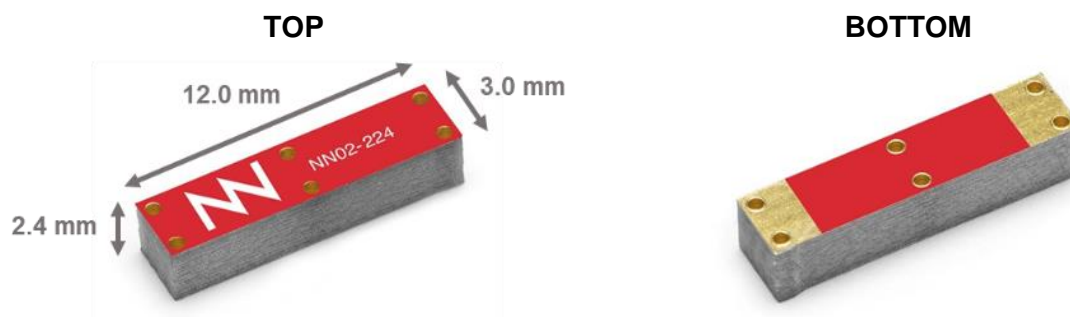


## TABLE OF CONTENTS

<b>1. PRODUCT DESCRIPTION NN02-224</b>	<b>4</b>
<b>2. EVALUATION BOARD WIFI DUAL-BAND</b>	<b>5</b>
<b>2.1. QUICK REFERENCE GUIDE</b>	<b>5</b>
<b>2.2. EVALUATION BOARD</b>	<b>5</b>
<b>2.3. MATCHING NETWORK</b>	<b>6</b>
<b>2.4. VSWR AND TOTAL EFFICIENCY</b>	<b>7</b>
<b>2.5. RADIATION PATTERNS (2.4-2.5 GHz), GAIN AND EFFICIENCY</b>	<b>8</b>
<b>2.6. RADIATION PATTERNS (4.9-5.875 GHz), GAIN AND EFFICIENCY</b>	<b>9</b>
<b>3. EVALUATION BOARD CR80 WIFI DUAL-BAND</b>	<b>10</b>
<b>3.1. QUICK REFERENCE GUIDE</b>	<b>10</b>
<b>3.2. EVALUATION BOARD</b>	<b>10</b>
<b>3.3. MATCHING NETWORK</b>	<b>11</b>
<b>3.4. VSWR AND TOTAL EFFICIENCY</b>	<b>12</b>
<b>3.5. RADIATION PATTERNS (2.4-2.5 GHz), GAIN AND EFFICIENCY</b>	<b>13</b>
<b>3.6. RADIATION PATTERNS (4.9-5.875 GHz), GAIN AND EFFICIENCY</b>	<b>14</b>

# 1. PRODUCT DESCRIPTION NN02-224

The RUN mXTEND™ antenna booster has been specifically designed for providing multiband performance in wireless devices (in particular in mobile devices), enabling worldwide coverage by allowing operation in the communication standards such as Wi-Fi Dual-band.



**Material:** The RUN mXTEND™ antenna booster is built on glass epoxy substrate.

## APPLICATIONS

- Handsets and Smartphones
- Tablets and PCs
- Modules
- Routers
- Home automation

## BENEFITS

- High efficiency
- Small size
- Cost-effective
- Easy-to-use (pick and place)
- Multiband behaviour (worldwide standards)
- Off-the-Shelf Standard Product (no customization is required)

The RUN mXTEND™ antenna booster belongs to a new generation of antenna solutions based on the Virtual Antenna™ technology developed by Ignion. The technology is mainly focused on replacing conventional antenna solutions by miniature and standard components.

This project has received funding from the European Union's Horizon 2020 research and innovation programme under grant agreement N° 674491



## 2. EVALUATION BOARD WIFI DUAL-BAND

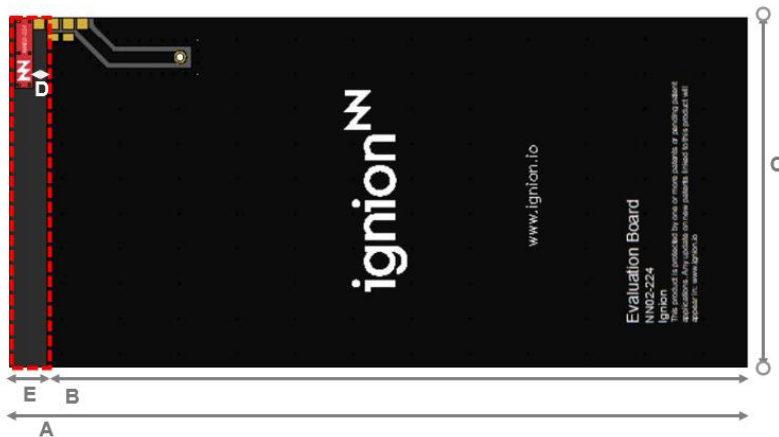
### 2.1. QUICK REFERENCE GUIDE

Technical features	2.4 – 2.5 GHz	4.9 – 5.875 GHz
Average Efficiency	> 70 %	> 70 %
Peak Gain	2.9 dBi	3.1 dBi
VSWR	< 2.5:1	
Radiation Pattern	Omnidirectional	
Polarization	Linear	
Weight (approx.)	0.19 g	
Temperature	-40 to +125 °C	
Impedance	50 Ω	
Dimensions (L x W x H)	12.0 mm x 3.0 mm x 2.4 mm	

Table 1 – Technical Features. Measures from the Evaluation Board. See Figure 1.

### 2.2. EVALUATION BOARD

This Evaluation Board EB\_NN02-224-2,4-5 is made with a coplanar grounded transmission line (trace on the PCB) to connect the RUN mXTEND™ antenna booster with the SMA connector. The RUN mXTEND™ provides operation in the frequency regions, from 2.4 GHz to 2.5 GHz and from 4.9 GHz to 5.875 GHz, through a single input/output port.



Measure	mm
A	126.5
B	120
C	60
D	2.5
E	6.5

Tolerance: ±0.2 mm

D: Distance between the RUN mXTEND™ antenna booster and the ground plane.

Material: The evaluation board is built on FR4 substrate. Thickness is 1 mm.

Clearance Area: 6.5 mm x 60 mm (E x C)

Figure 1 – EB\_NN02-224-2,4-5. Evaluation Board providing operation from 2.4 GHz to 2.5 GHz and from 4.9 GHz to 5.875 GHz.

This product and its use are protected by at least one or more of the following [patents](#) PAT. US 9,130,259 B2; PAT. US 8,237,615 B2. Other domestic and international patents pending. Additional information about patents related to this product is available at [www.ignion.io/virtual-antenna/](http://www.ignion.io/virtual-antenna/).

## 2.3. MATCHING NETWORK

The specs of a Ignion standard product are measured in their evaluation board, which is an ideal case. In a real design, components nearby the antenna, LCD's, batteries, covers, connectors, etc. affect the antenna performance. This is the reason why it is highly recommended placing pads compatible with 0402 and 0603 SMD components for a matching network as close as possible to the feeding point. Do it in the ground plane area, not in the clearance area. This provides a degree of freedom to tune the RUN mXTEND™ antenna booster once the design is finished and taking into account all elements of the series (batteries, displays, covers, etc.).

Please notice that different devices with different ground planes and different components nearby the RUN mXTEND™ antenna booster may need a different matching network. To ensure optimal results, the use of high Q and tight tolerance components is highly recommended (Murata components). Please, if you need assistance contact [support@ignion.io](mailto:support@ignion.io) for more information related to the antenna booster matching service.

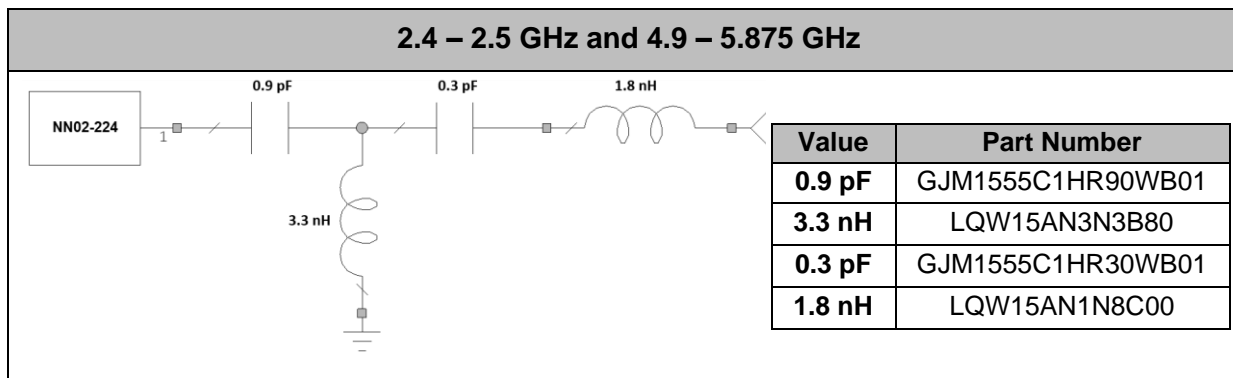


Figure 2 – Matching Network implemented in the evaluation board (Figure 1).

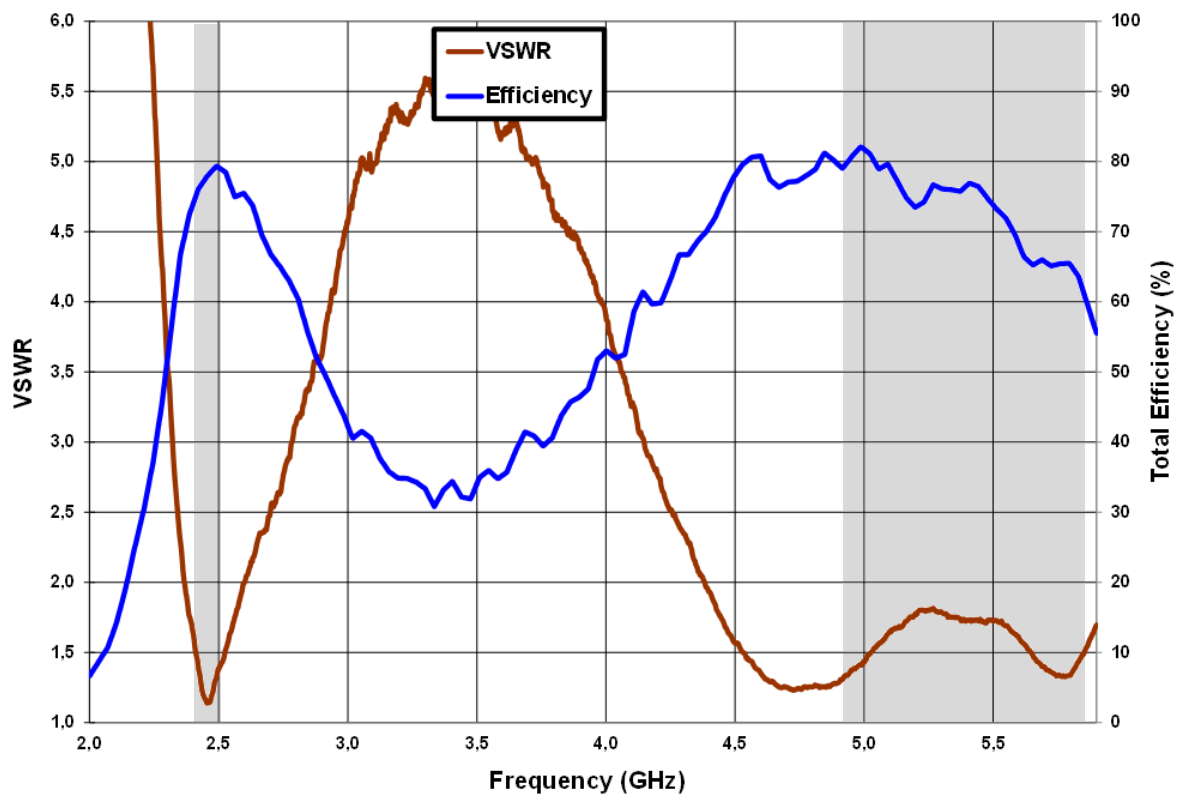
For additional information, please visit [www.ignion.io](http://www.ignion.io) or contact [info@ignion.io](mailto:info@ignion.io).

If you need assistance to design your matching network, please contact [support@ignion.io](mailto:support@ignion.io), or try our free-of-charge<sup>1</sup> **NN Wireless Fast-Track** design service, you will get your chip antenna design including a custom matching network for your device in 24h<sup>1</sup>. Other related to NN's range of R&D services is available at: <https://www.ignion.io/rdservices/>

<sup>1</sup> See terms and conditions for a free NN Wireless Fast-Track service in 24h at: <https://www.ignion.io/fast-track-project/>

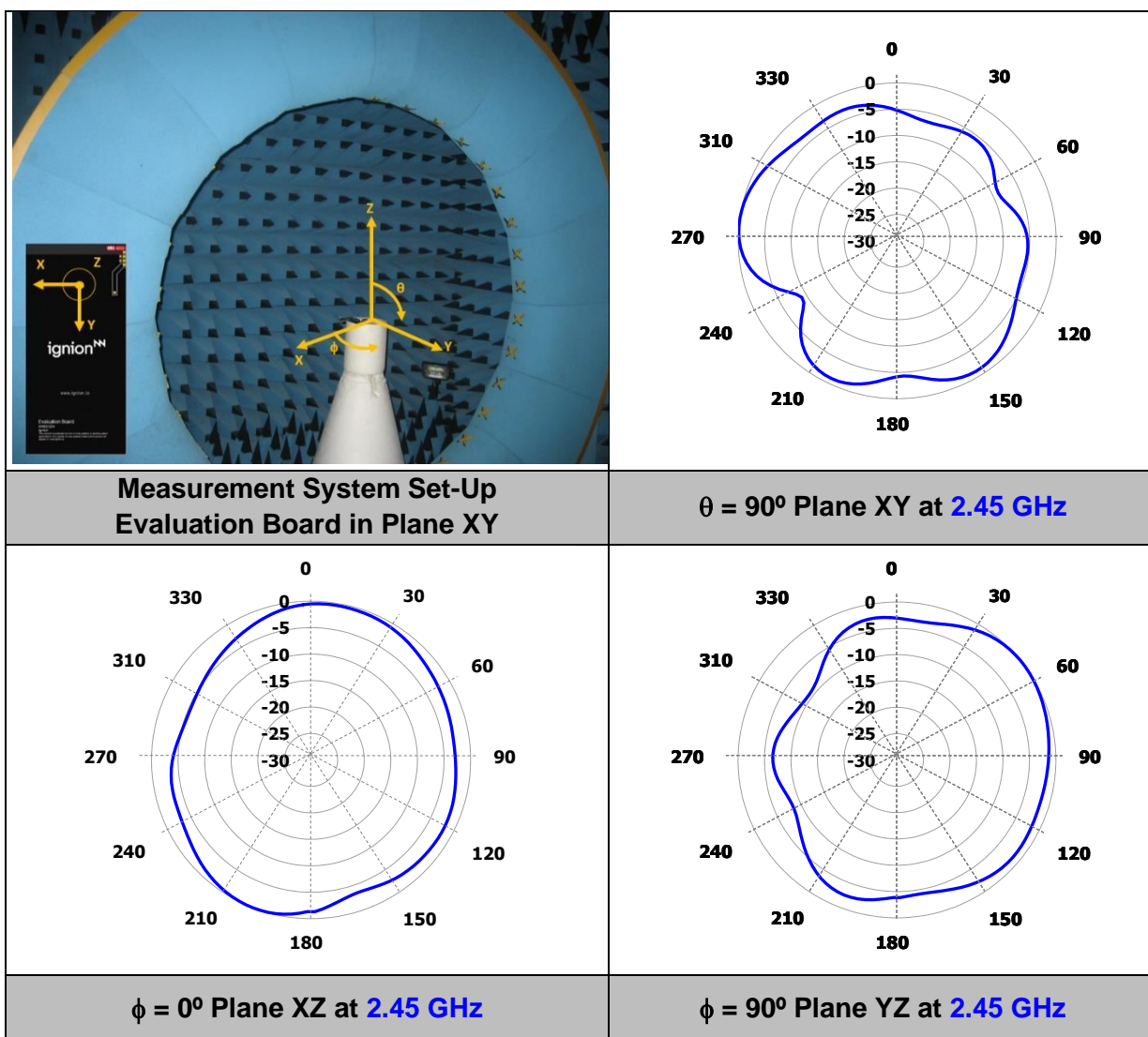
## 2.4. VSWR AND TOTAL EFFICIENCY

VSWR (Voltage Standing Wave Ratio) and Total Efficiency versus Frequency (GHz).



**Figure 3** – VSWR and Total Efficiency for the 2.4 – 2.5 GHz frequency range and for the 4.9 – 5.875 GHz frequency range from the evaluation board (Figure 1).

## 2.5. RADIATION PATTERNS (2.4-2.5 GHz), GAIN AND EFFICIENCY

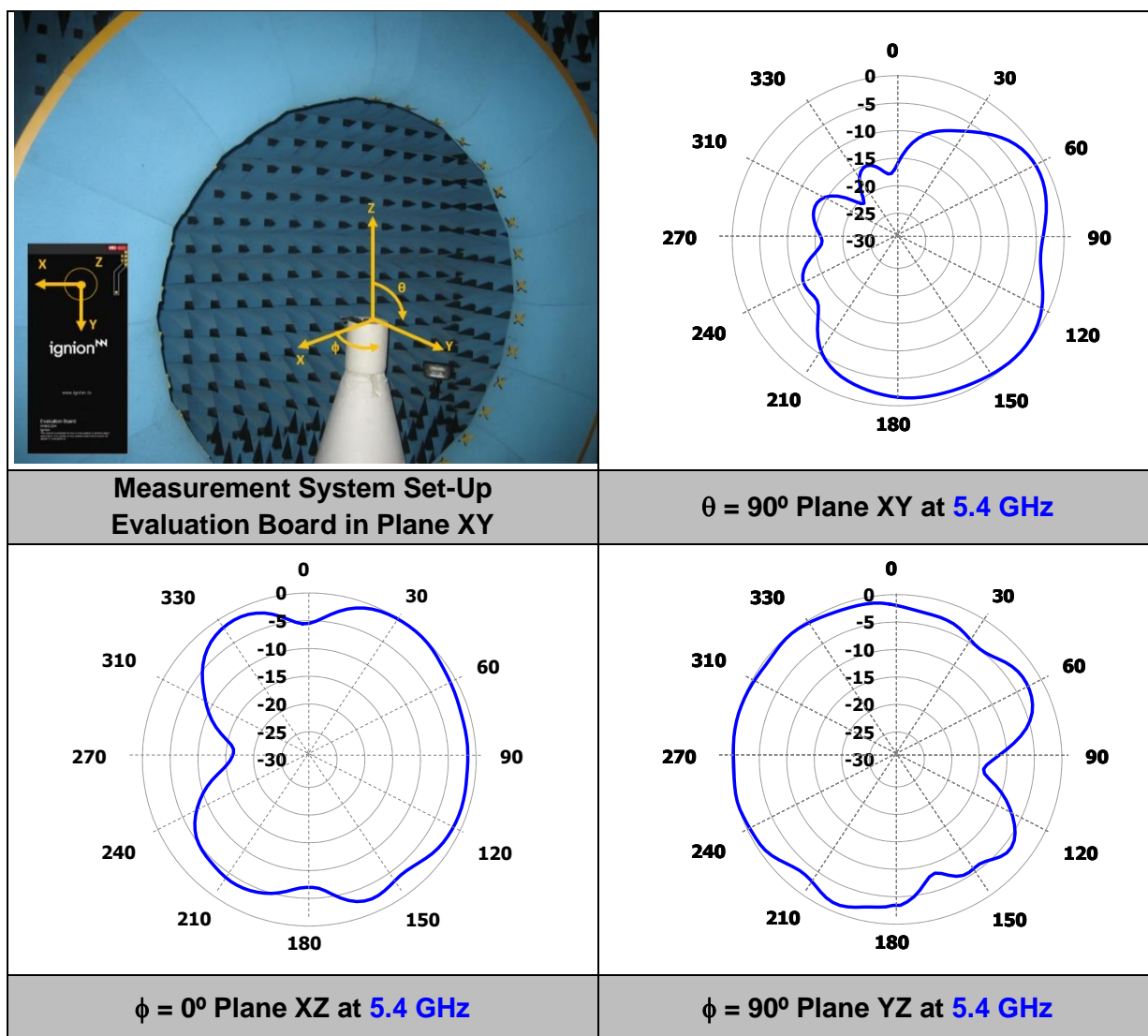


<b>Gain</b>	<b>Peak Gain</b>	2.9 dBi
	<b>Average Gain across the band</b>	2.7 dBi
	<b>Gain Range across the band (min, max)</b>	2.3 <--> 2.9 dBi
<b>Efficiency</b>	<b>Peak Efficiency</b>	78.9 %
	<b>Average Efficiency across the band</b>	75.7 %
	<b>Efficiency Range across the band (min, max)</b>	72.8 – 78.7 %

**Table 2** – Antenna Gain and Total Efficiency from the evaluation board (Figure 1) within the 2.4 – 2.5 GHz frequency range. Measures made in the Satimo STARGATE 32 anechoic chamber.



## 2.6. RADIATION PATTERNS (4.9-5.875 GHz), GAIN AND EFFICIENCY



<b>Gain</b>	<b>Peak Gain</b>	3.1 dBi
	<b>Average Gain across the band</b>	2.8 dBi
	<b>Gain Range across the band (min, max)</b>	1.8 $\leftrightarrow$ 3.1 dBi
<b>Efficiency</b>	<b>Peak Efficiency</b>	83.1 %
	<b>Average Efficiency across the band</b>	72.8 %
	<b>Efficiency Range across the band (min, max)</b>	58.7 – 83.1 %

**Table 3** – Antenna Gain and Total Efficiency from the evaluation board (Figure 1) within the 4.9-5.875 GHz frequency range. Measures made in the Satimo STARGATE 32 anechoic chamber.

### 3. EVALUATION BOARD CR80 WIFI DUAL-BAND

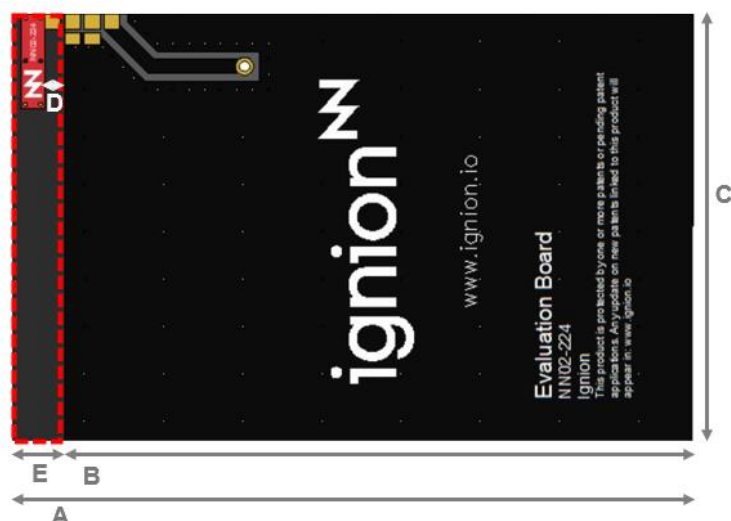
#### 3.1. QUICK REFERENCE GUIDE

Technical features	2.4 – 2.5 GHz	4.9 – 5.875 GHz
Average Efficiency	> 75 %	> 65 %
Peak Gain	2.3 dBi	2.8 dBi
VSWR	< 2:1	
Radiation Pattern	Omnidirectional	
Polarization	Linear	
Weight (approx.)	0.19 g	
Temperature	-40 to +125 °C	
Impedance	50 Ω	
Dimensions (L x W x H)	12.0 mm x 3.0 mm x 2.4 mm	

Table 4 – Technical Features. Measures from the Evaluation Board. See Figure 4.

#### 3.2. EVALUATION BOARD

This Evaluation Board EB\_NN02-224-CR80-2,4-5 is made with a coplanar grounded transmission line (trace on a PCB) to connect the RUN mXTEND™ antenna booster with the SMA connector. The RUN mXTEND™ provides operation in the frequency regions, from 2.4 GHz to 2.5 GHz and from 4.9 GHz to 5.875 GHz, through a single input/output port.



Measure	mm
A	86
B	79.5
C	54
D	2.5
E	6.5

Tolerance: ±0.2 mm

D: Distance between the RUN mXTEND™ antenna booster and the ground plane.

**Material:** The evaluation board is built on FR4 substrate. Thickness is 1 mm.

**Clearance Area:** 6.5 mm x 60 mm (E x C)

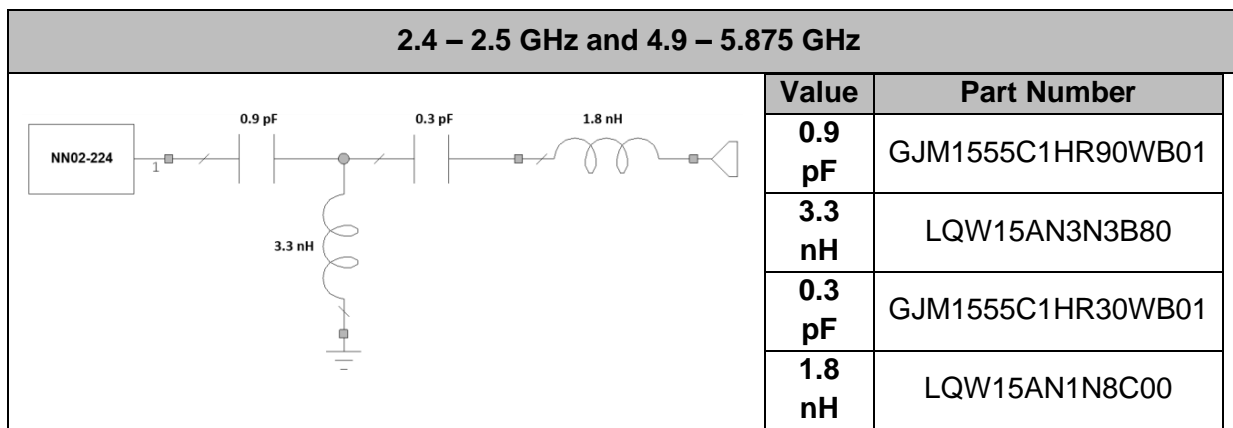
Figure 4 – EB\_NN02-224-CR80-2,4-5 in CR80 standard format. Evaluation Board providing operation from 2.4 GHz to 2.5 GHz and from 4.9 GHz to 5.875 GHz.

This product and its use are protected by at least one or more of the following [patents](#) PAT. US 9,130,259 B2; PAT. US 8,237,615 B2. Other domestic and international patents pending. Additional information about patents related to this product is available at [www.ignion.io/virtual-antenna/](http://www.ignion.io/virtual-antenna/).

### 3.3. MATCHING NETWORK

The specs of a Ignion standard product are measured in their evaluation board, which is an ideal case. In a real design, components nearby the antenna, LCD's, batteries, covers, connectors, etc. affect the antenna performance. This is the reason why it is highly recommended placing pads compatible with 0402 and 0603 SMD components for a matching network as close as possible to the feeding point. Do it in the ground plane area, not in the clearance area. This provides a degree of freedom to tune the RUN mXTEND™ antenna booster once the design is finished and taking into account all elements of the system (batteries, displays, covers, etc.).

Please notice that different devices with different ground planes and different components nearby the RUN mXTEND™ antenna booster may need a different matching network. To ensure optimal results, the use of high Q and tight tolerance components is highly recommended (Murata components). Please, if you need assistance contact [support@ignion.io](mailto:support@ignion.io) for more information related to the antenna booster matching service.



**Figure 5** – Matching Network implemented in the evaluation board (Figure 4).

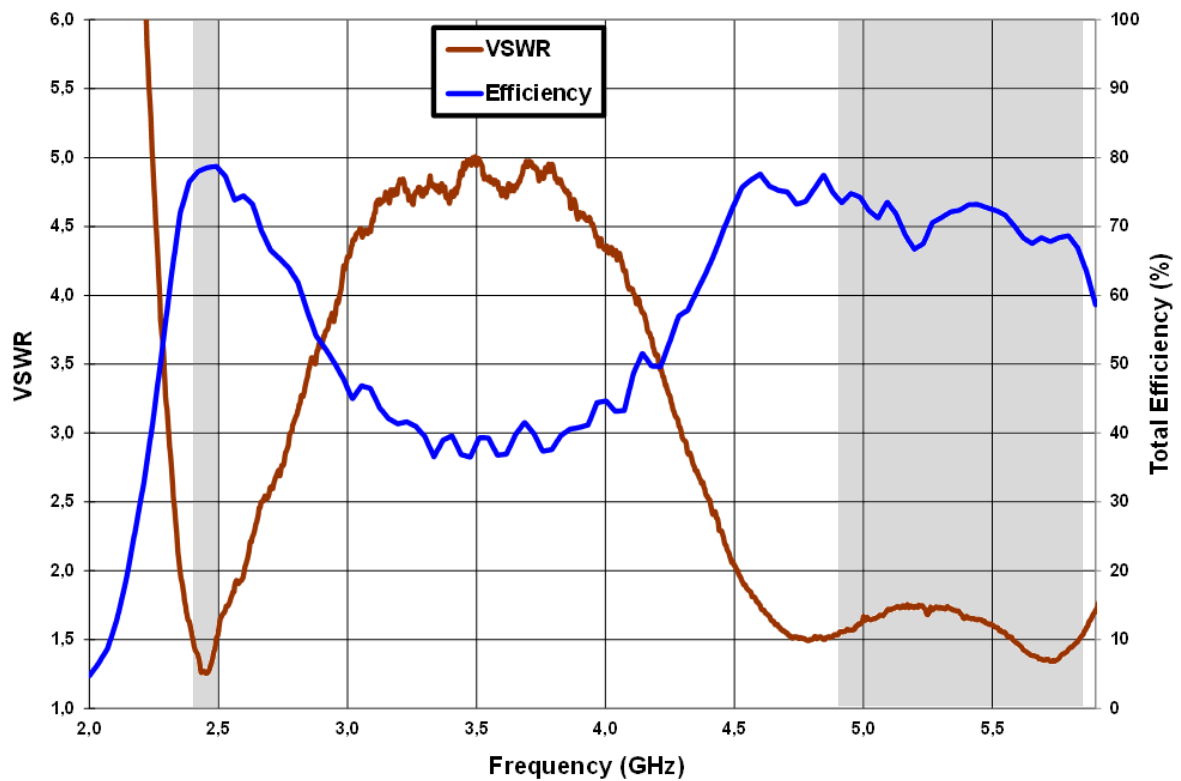
For additional information, please visit [www.ignion.io](http://www.ignion.io) or contact [info@ignion.io](mailto:info@ignion.io).

If you need assistance to design your matching network, please contact [support@ignion.io](mailto:support@ignion.io), or try our free-of-charge<sup>2</sup> **NN Wireless Fast-Track** design service, you will get your chip antenna design including a custom matching network for your device in 24h<sup>2</sup>. Other related to NN's range of R&D services is available at: <https://www.ignion.io/rdservices/>

<sup>2</sup> See terms and conditions for a free NN Wireless Fast-Track service in 24h at: <https://www.ignion.io/fast-track-project/>

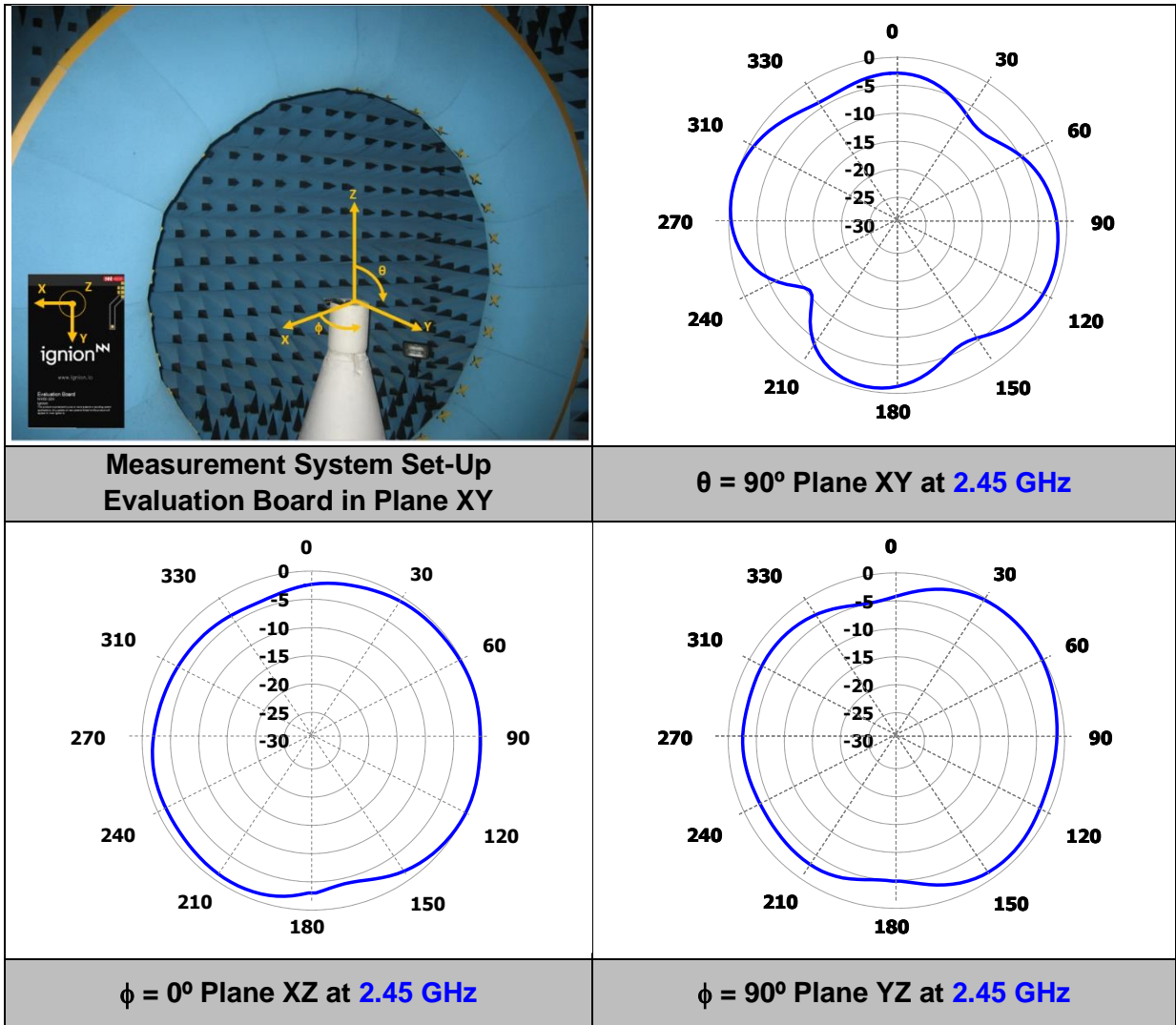
### 3.4. VSWR AND TOTAL EFFICIENCY

VSWR (Voltage Standing Wave Ratio) and Total Efficiency versus Frequency (GHz).



**Figure 6** – VSWR and Total Efficiency for the 2.4 – 2.5 GHz frequency range and for the 4.9 – 5.875 GHz frequency range from the evaluation board (Figure 4).

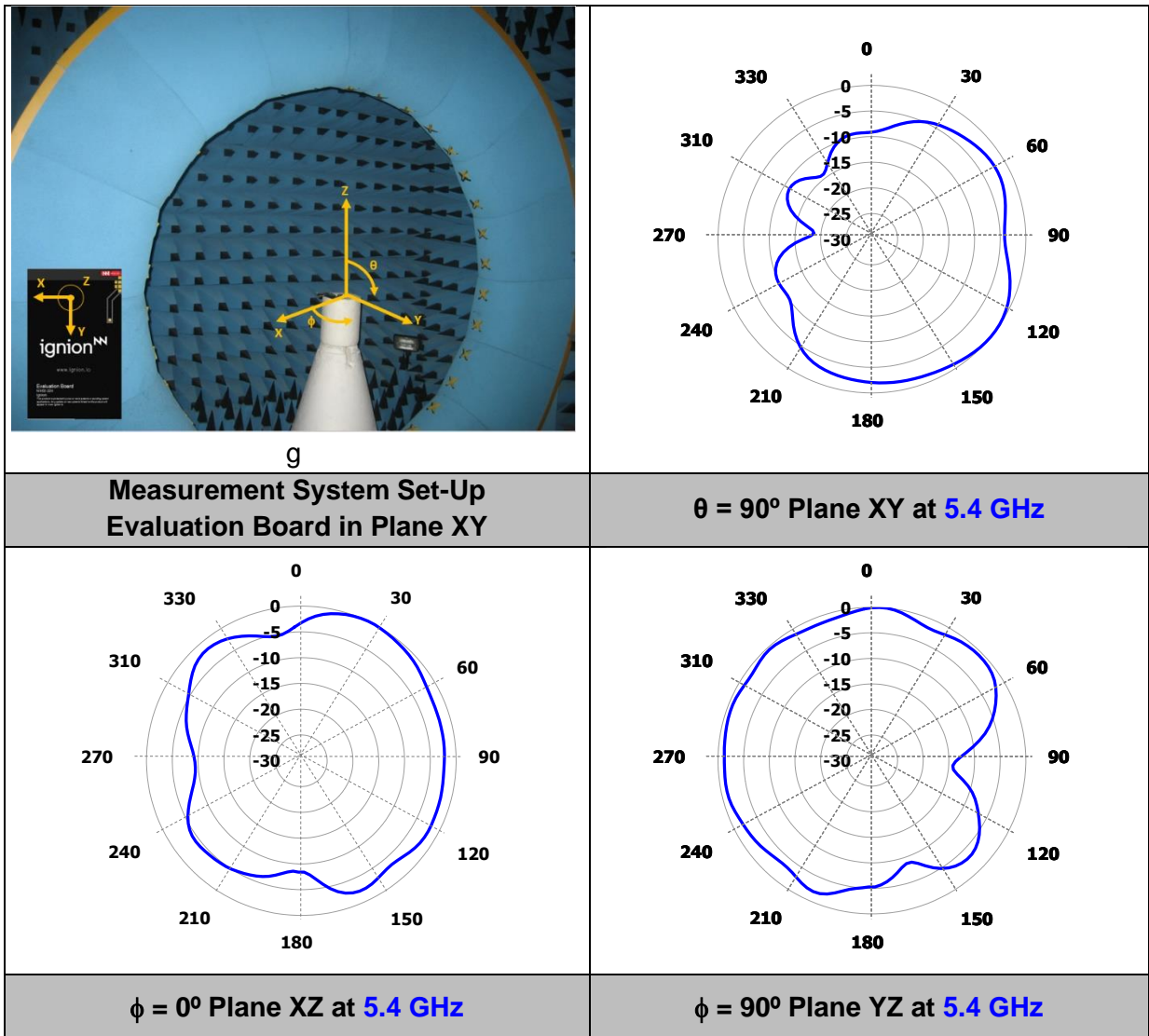
### 3.5. RADIATION PATTERNS (2.4-2.5 GHz), GAIN AND EFFICIENCY



Gain	Peak Gain	2.3 dBi
	Average Gain across the band	2.1 dBi
	Gain Range across the band (min, max)	1.9 <-> 2.3 dBi
Efficiency	Peak Efficiency	78.7 %
	Average Efficiency across the band	78.3 %
	Efficiency Range across the band (min, max)	77.1 – 78.7 %

**Table 5** – Antenna Gain and Total Efficiency from the Evaluation Board (Figure 4) within the 2.4 – 2.5 GHz frequency range. Measures made in the Satimo STARGATE 32 anechoic chamber.

### 3.6. RADIATION PATTERNS (4.9-5.875 GHz), GAIN AND EFFICIENCY



Gain	Peak Gain	2.8 dBi
	Average Gain across the band	2.4 dBi
	Gain Range across the band (min, max)	1.6 <-> 2.8 dBi
Efficiency	Peak Efficiency	74.8 %
	Average Efficiency across the band	70.5 %
	Efficiency Range across the band (min, max)	62.0 – 74.8 %

**Table 6** – Antenna Gain and Total Efficiency from the evaluation board (**Figure 4**) within the 4.9 – 5.875 GHz frequency range. Measures made in the Satimo STARGATE 32 anechoic chamber.

ignion<sup>™</sup>

Your innovation.  
Accelerated.

Contact:  
[support@ignion.io](mailto:support@ignion.io)  
+34 935 660 710

#### Barcelona

Av. Alcalde Barnils, 64-68 Modul C, 3a pl.  
Sant Cugat del Vallés  
08174 Barcelona  
Spain

#### Shanghai

Shanghai Bund Centre  
18/F Bund Centre, 222 Yan'an Road East,  
Huangpu District  
Shanghai, 200002  
China

#### New Dehli

New Delhi, Red Fort Capital Parsvnath Towers  
Bhai Veer Singh Marg, Gole Market,  
New Delhi, 110001  
India

#### Tampa

8875 Hidden River Parkway  
Suite 300  
Tampa, FL 33637  
USA