

ignion[™]

Your innovation.
Accelerated.

COMPACT DUAL- BAND REACH Xtend[™] (NN01-004)

APPLICATION NOTE
COMPACT DUAL-BAND REACH Xtend[™] (NN01-004)

Compact Dual-band Reach Xtend[™] (NN01-004) – Bluetooth Wi-Fi Handsets. 2.4-2.5 GHz and 4.9-5.875 GHz

Ignion specializes in enabling effective mobile communications. Using Ignion technology, we design and manufacture optimized antennas to make your wireless devices more competitive. Our mission is to help our clients develop innovative products and accelerate their time to market through our expertise in antenna design, testing and manufacturing.



Compact Dual-band Reach Xtend[™]

NN01-004

Ignion products are protected by [Ignion patents](#).

All information contained within this document is property of Ignion and is subject to change without prior notice. Information is provided “as is” and without warranties. It is prohibited to copy or reproduce this information without prior approval.

Ignion is an ISO 9001:2015 certified company. All our antennas are lead-free and RoHS compliant.

ISO 9001:2015 Certified



TABLE OF CONTENTS

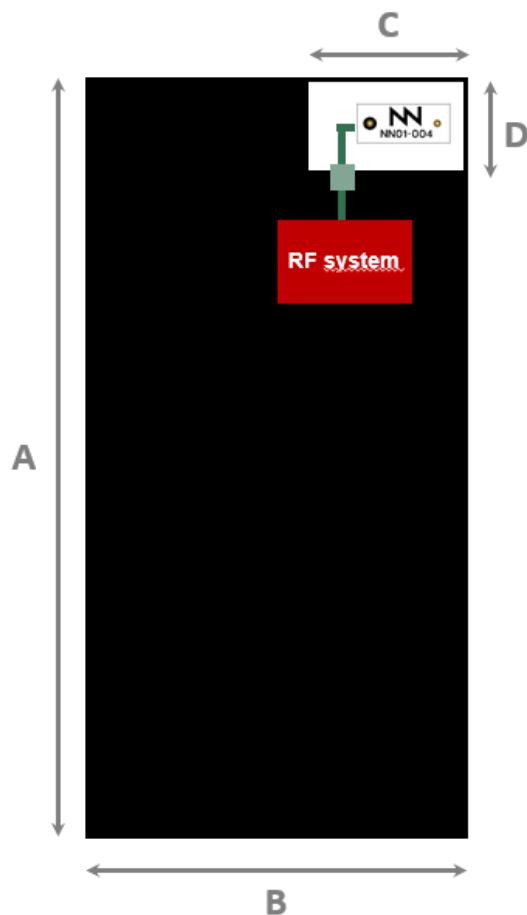
1. RECOMMENDED PCB LAYOUT FOR A NEW DESIGN	4
1.1. BLUETOOTH OR WIFI DUAL BAND WITH THE COMPACT DUAL BAND CHIP ANTENNA (NN01-004)	4
1.2. MATCHING NETWORK IN FREE SPACE	5
1.3. VSWR AND EFFICIENCY	6
2. MATCHING NETWORK CONSIDERING THE HUMAN BODY EFFECT	6
3. CAPABILITIES AND MEASUREMENT SYSTEMS	7

1. RECOMMENDED PCB LAYOUT FOR A NEW DESIGN

The following example describes the basics for a new design of a Bluetooth handset or a WiFi handset for dual band operation. Notice the importance of the antenna location, ground plane area, clearance area and the pads for a PI-matching network (close to the antenna feeding point but in the ground plane area). All images below do not correspond to real sizes.

1.1. BLUETOOTH OR WIFI DUAL BAND WITH THE COMPACT DUAL BAND CHIP ANTENNA (NN01-004)

The ground plane area of the Compact Dual-band standard evaluation board (pages 4 and 5 of the [User Manual](#)) has been extended to 120 mm x 60 mm. This area is in line with the average dimensions of the most popular smartphones available in the market.



Measure	mm
A	120.0
B	60.0
C	11.1
D	5.7

Tolerance: ±0.2mm

Note: For recommended distances between the antenna and the ground plane please go to the [User Manual](#) (Antenna Footprint, Figure 3, Page 8)

Material: The evaluation board is built on FR4 substrate. Thickness is 1 mm.

Figure 1 – Example of the Compact Dual Band antenna in a 120 mm x 60 mm PCB.

1.2. MATCHING NETWORK IN FREE SPACE

The specs of a Ignion standard antenna are measured in their evaluation board (in free space), which is an ideal case. In a real design, components nearby the antenna, semiconductors, LCD's, batteries, covers, connectors, etc affect the antenna performance. This is the reason why it is highly recommended placing pads compatible with 0402 and 0603 SMD components for a PI matching network as close as possible to the antenna feeding point. Do it in the ground plane area, not in the clearance area. This is a degree of freedom to tune the antenna once the design is finished and taking into account all elements of the system (batteries, displays, covers, etc).

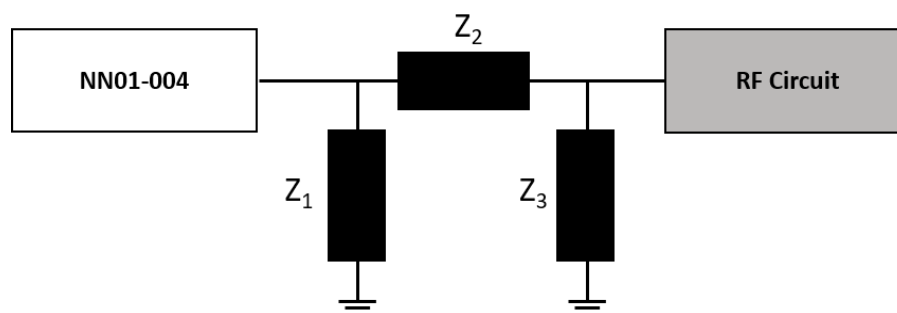


Figure 2 – PI matching network example

In the evaluation board showed in Figure 1 the values of the components are the following (0402 SMD, high-Q):

- Z_1 : 0.2 pF capacitor
- Z_2 : 1.5 nH inductor
- Z_3 : Empty pad, no component

Please notice that different devices with different ground planes and different components nearby the Compact Dual-band Reach Xtend™ chip antenna may need a different matching network. To ensure optimal results, the use of high Q and tight tolerance components is highly recommended (Murata components). If you need assistance to design your matching network beyond this application note, please contact support@ignion.io, or try our free-of-charge¹ **NN Wireless Fast-Track** design service, you will get your chip antenna design including a custom matching network for your device in 24h¹. Other related to NN's range of R&D services is available at: <https://www.ignion.io/rdservices/>

¹ See terms and conditions for a free NN Wireless Fast-Track service in 24h at: <https://www.ignion.io/fast-track-project/>

1.3. VSWR AND EFFICIENCY

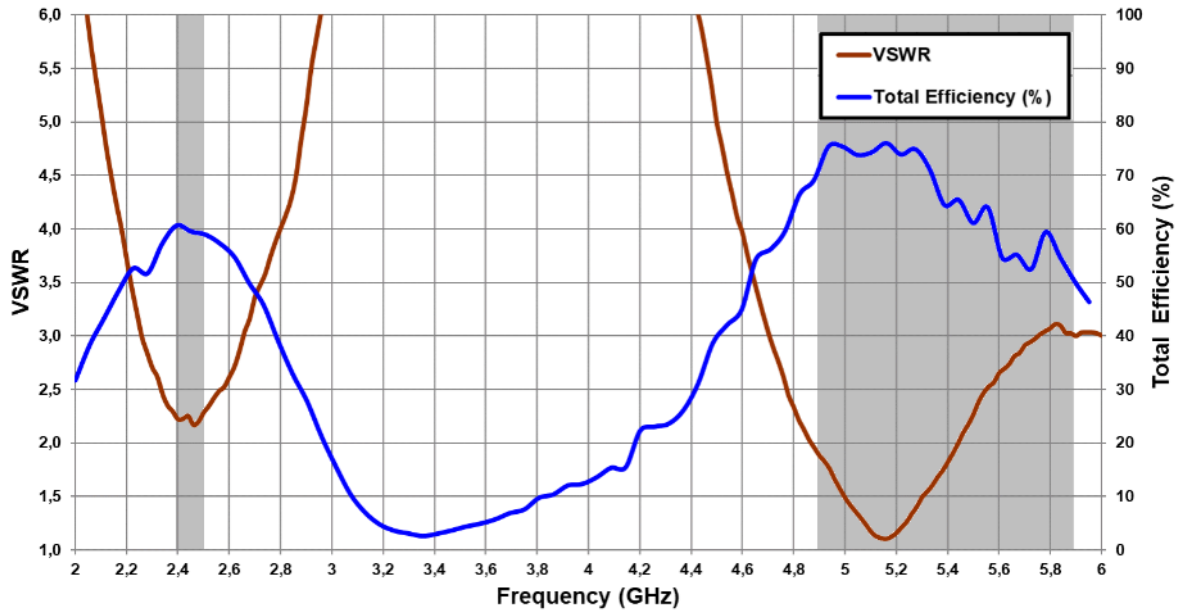


Figure 3 – VSWR (Voltage Standing Wave Ratio) and Total Efficiency (%) vs. Frequency.

The average efficiency across the 2.4 – 2.5 GHz band is around 60% while the average VSWR is around 2.2. The average efficiency across the 4.9 – 5.875 GHz band is around 66% while the average VSWR is around 2.0.

Notice that the clearance area is smaller in the 120 mm x 60 mm version than in the standard Evaluation Board (page 4 of the [User Manual](#)). If the clearance area could be extended in the final design, then the performance of the antenna would be even better.

2. MATCHING NETWORK CONSIDERING THE HUMAN BODY EFFECT

The human head and hand affect the performance of the antenna and may produce a frequency downshift. Therefore, the configuration of the matching network has to be designed with a phantom head and/or a phantom hand to optimize the antenna performance.

Please contact support@ignion.io for more information related to the antenna matching service with a phantom head and/or a phantom hand.

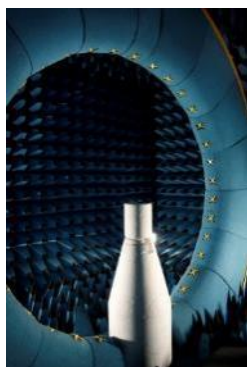
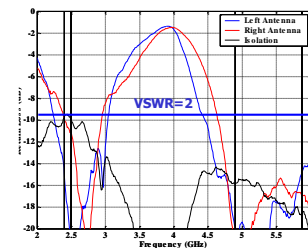
3. CAPABILITIES AND MEASUREMENT SYSTEMS

Ignion specializes in the design and manufacture of optimized antennas for wireless applications, and with the provision of RF expertise to a wide range of clients. We offer turn-key antenna products and antenna integration support to minimize your time requirements and maximize return on investment throughout the product development process. We also provide our clients with the opportunity to leverage our in-house testing and measurement facilities to obtain accurate results quickly and efficiently.



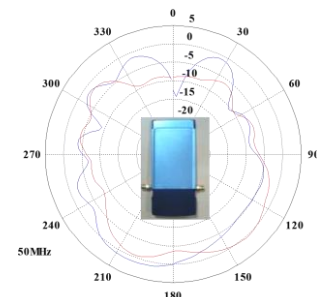
Agilent E5071B

VSWR
 &
 S Parameters



SATIMO STARGATE 32

Radiation
 Pattern
 &
 Efficiency



Anechoic chambers and full equipped in-house lab

ignion[™]

Your innovation.
Accelerated.

Contact:
support@ignion.io
+34 935 660 710

Barcelona

Av. Alcalde Barnils, 64-68 Modul C, 3a pl.
Sant Cugat del Vallés
08174 Barcelona
Spain

Shanghai

Shanghai Bund Centre
18/F Bund Centre, 222 Yan'an Road East,
Huangpu District
Shanghai, 200002
China

New Dehli

New Delhi, Red Fort Capital Parsvnath Towers
Bhai Veer Singh Marg, Gole Market,
New Delhi, 110001
India

Tampa

8875 Hidden River Parkway
Suite 300
Tampa, FL 33637
USA